

50,000 LUMENS LED LUMINAIRE SLM Pro Series



FEATURES

- Cool White Optics
- Military Grade Design
- High Output & Efficiency
- Dimming Function Standard
- High Lumens-to-Weight Ratio (up to 3200 lm/lb)
- DC Input Models: 18VDC – 38VDC
- AC Input Models: 90VAC – 305VAC
- Flood and Spot options
- Low Power Consumption
- 100% Assembled in USA
- Ceramic Pro Super Hydrophobic Coating

ABSOLUTE MAXIMUM RATINGS

RATING	MIN.	MAX.	UNITS
INPUT VOLTAGE (DC MODELS)*	8	38	VDC
INPUT VOLTAGE (AC MODELS)	90	305	VAC
INPUT FREQUENCY (AC MODELS)	47	63	Hz
OPERATING TEMPERATURE	-40	50	°C

ELECTRICAL CHARACTERISTICS (ALL RATINGS ARE AT 25°C UNLESS OTHERWISE SPECIFIED)

DC MODE

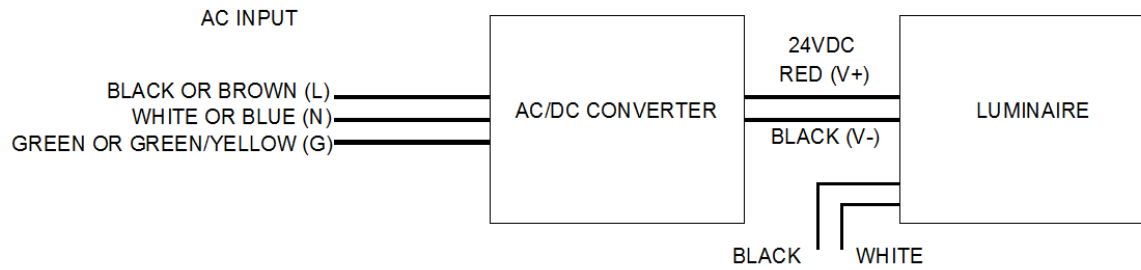
CHARACTERISTIC	MIN.	TYP.	MAX.	UNITS
POWER CONSUMPTION (18VDC – 38VDC)		440		W
POWER CONSUMPTION (12VDC)		304		W
LUMINOUS FLUX (CALCULATED, 18VDC – 38VDC)		50,000		lm
LUMINOUS FLUX (CALCULATED, 12VDC)		40,000		lm
INPUT CURRENT DRAW – 32VDC		14		A
INPUT CURRENT DRAW – 24VDC		18		A
INPUT CURRENT DRAW – 12VDC		26		A
OVERVOLTAGE TRIP POINT	38	---	42	V

LED COLOR

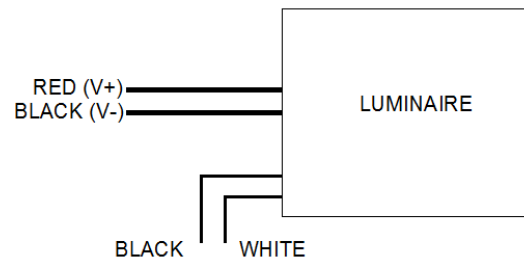
CHARACTERISTIC	MIN.	TYP.	MAX.	UNITS
COLOR ¹	---	5000	---	K

Notes: Other colors available – consult factory

WIRING

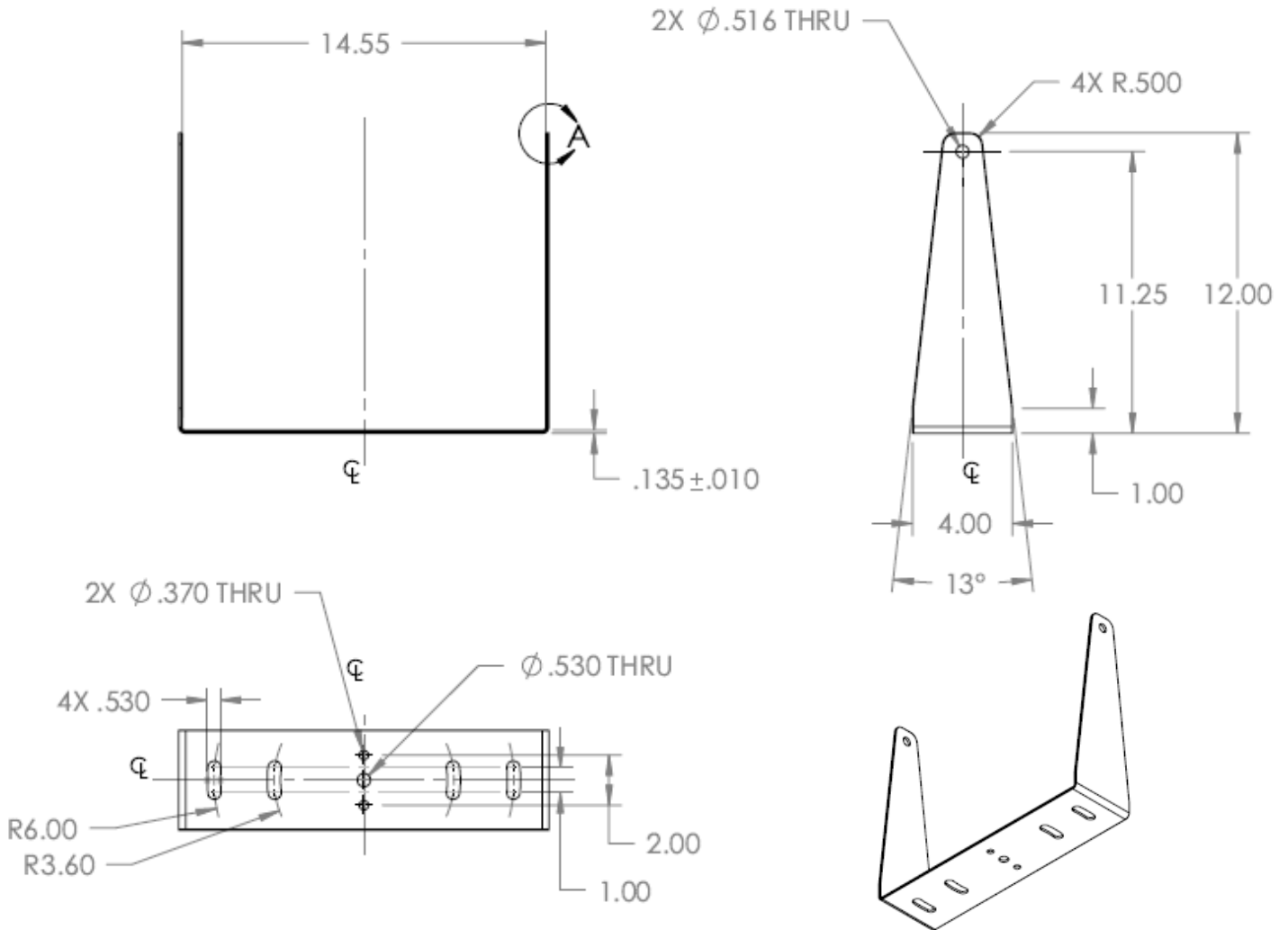


DC INPUT



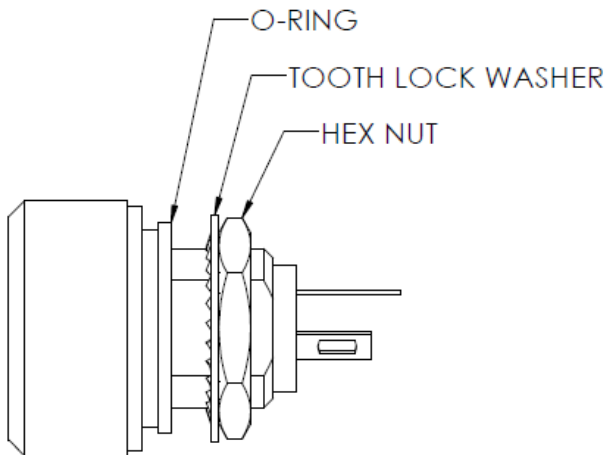
INSTALL A 10K POTENTIOMETER BETWEEN THE BLACK AND WHITE SIGNAL WIRES FOR DIMMING OPERATION. ALTERNATIVELY, SHORT THE SIGNAL WIRES FOR FULL BRIGHTNESS OR LEAVE OPEN FOR FULL DIMMING.

STANDARD MOUNTING BRACKET

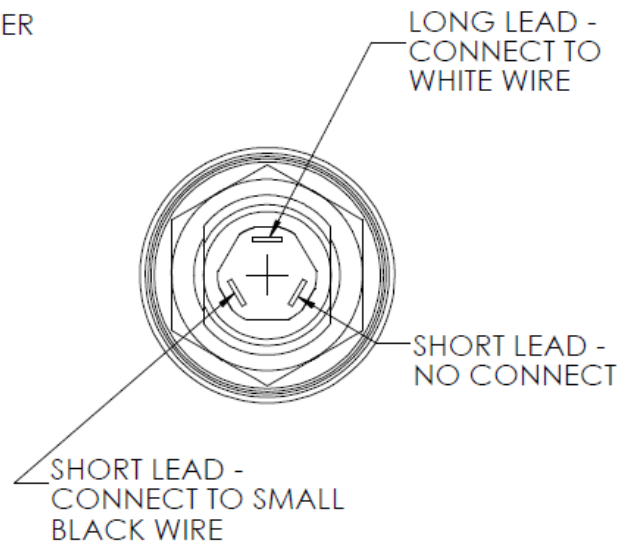


DIMMING KNOB

ASSEMBLY SEQUENCE



WIRING INSTRUCTIONS



FOR NON-DIMMING OPERATION SHORT BOTH SMALL WIRES TOGETHER

DISCLAIMER:

- 1- The information given herein, including the specifications and dimensions, is subject to change without prior notice to improve product characteristics. Before ordering, purchasers are advised to contact Durabrite's sales department for the latest version of the datasheet(s).
- 2- In no event shall Durabrite be liable for any damages that may result from an accident or any other cause during operation of the user's units according to the datasheet(s). Durabrite assumes no responsibility for any intellectual property claims or any other problems that may result from applications of information, products or circuits described in the datasheets.
- 4- In no event shall Durabrite be liable for any failure in other components as a result of an installation of a Durabrite product or any secondary damage resulting from use at a value exceeding the absolute maximum rating.
- 5- No license is granted by the datasheet(s) under any patents or other rights of any third party or Durabrite.
- 6- The datasheet(s) may not be reproduced or duplicated, in any form, in whole or part, without the expressed written permission of Durabrite.
- 7- The products (technologies) described in the datasheet(s) are not to be provided to any party whose purpose in their application will hinder maintenance of international peace and safety nor are they to be applied to that purpose by their direct purchasers or any third party. When exporting these products (technologies), the necessary procedures are to be taken in accordance with related laws and regulations.