

## HIGH OUTPUT, HIGH EFFICIENCY LED LUMINAIRE



### FEATURES

- Cool White Optics
- Military Grade Design
- High Output & Efficiency
- High Lumens-to-Weight Ratio (up to 2250 lm/lb)
- DC Input Models: 12VDC – 48VDC
- AC Input Models: 90VAC – 305VAC
- Low Power Consumption
- Daylight Shutdown Option
- 100% Assembled in USA

### ABSOLUTE MAXIMUM RATINGS

RATING	MIN.	MAX.	UNITS
INPUT VOLTAGE (DC MODELS)*	10	55	VDC
INPUT VOLTAGE (AC MODELS)	90	305	VAC
INPUT FREQUENCY (AC MODELS)	47	63	Hz
OPERATING TEMPERATURE	-40	55	°C

Note: \* The DC voltage range is split into 4 different models.

## TECHNICAL DATASHEET - STANDARD SERIES

### ELECTRICAL CHARACTERISTICS (ALL RATINGS ARE AT 25°C UNLESS OTHERWISE SPECIFIED)

#### DC MODE

CHARACTERISTIC	MIN.	TYP.	MAX.	UNITS
POWER CONSUMPTION (24VDC / 32VDC / 48VDC)		270		W
POWER CONSUMPTION (12VDC)		180		W
LUMINOUS FLUX (CALCULATED, 24VDC / 32VDC / 48VDC)		35,000		lm
LUMINOUS FLUX (CALCULATED, 12VDC)		24,000		lm
INPUT CURRENT DRAW – 48VDC		5.6		A
INPUT CURRENT DRAW – 32VDC		8.4		A
INPUT CURRENT DRAW – 24VDC		11.2		A
INPUT CURRENT DRAW – 12VDC		15		A
OVERVOLTAGE TRIP POINT – 48VDC	56	---	60	V
OVERVOLTAGE TRIP POINT – 32VDC	38	---	42	V
OVERVOLTAGE TRIP POINT – 24VDC	29	---	32	V
OVERVOLTAGE TRIP POINT – 12VDC	29	---	32	V

#### AC MODE

CHARACTERISTIC	MIN.	TYP.	MAX.	UNITS
POWER CONSUMPTION (35,000 lm)		300		W
LUMINOUS FLUX (CALCULATED, 35,000 lm)		35,000		lm
INPUT CURRENT DRAW – 120V AC (35,000 lm)		2.5		A
INPUT CURRENT DRAW – 240V AC (35,000 lm)		1.3		A
DC OUTPUT TO LUMINAIRE (35,000 lm)		24		VDC

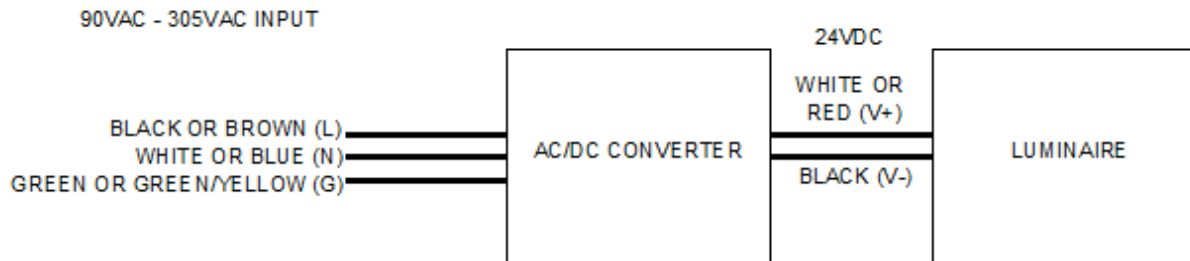
#### LED COLOR

CHARACTERISTIC	MIN.	TYP.	MAX.	UNITS
COLOR <sup>1</sup>	---	5000	---	K

Notes: Other colors available – consult factory

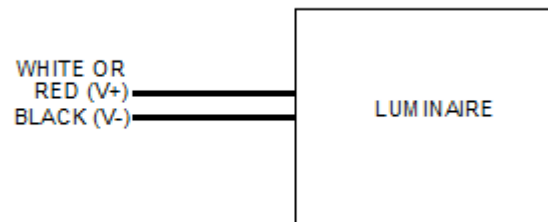
## TECHNICAL DATASHEET - STANDARD SERIES

### AC MODEL WIRING (24,000 OR 35,000 LUMENS):



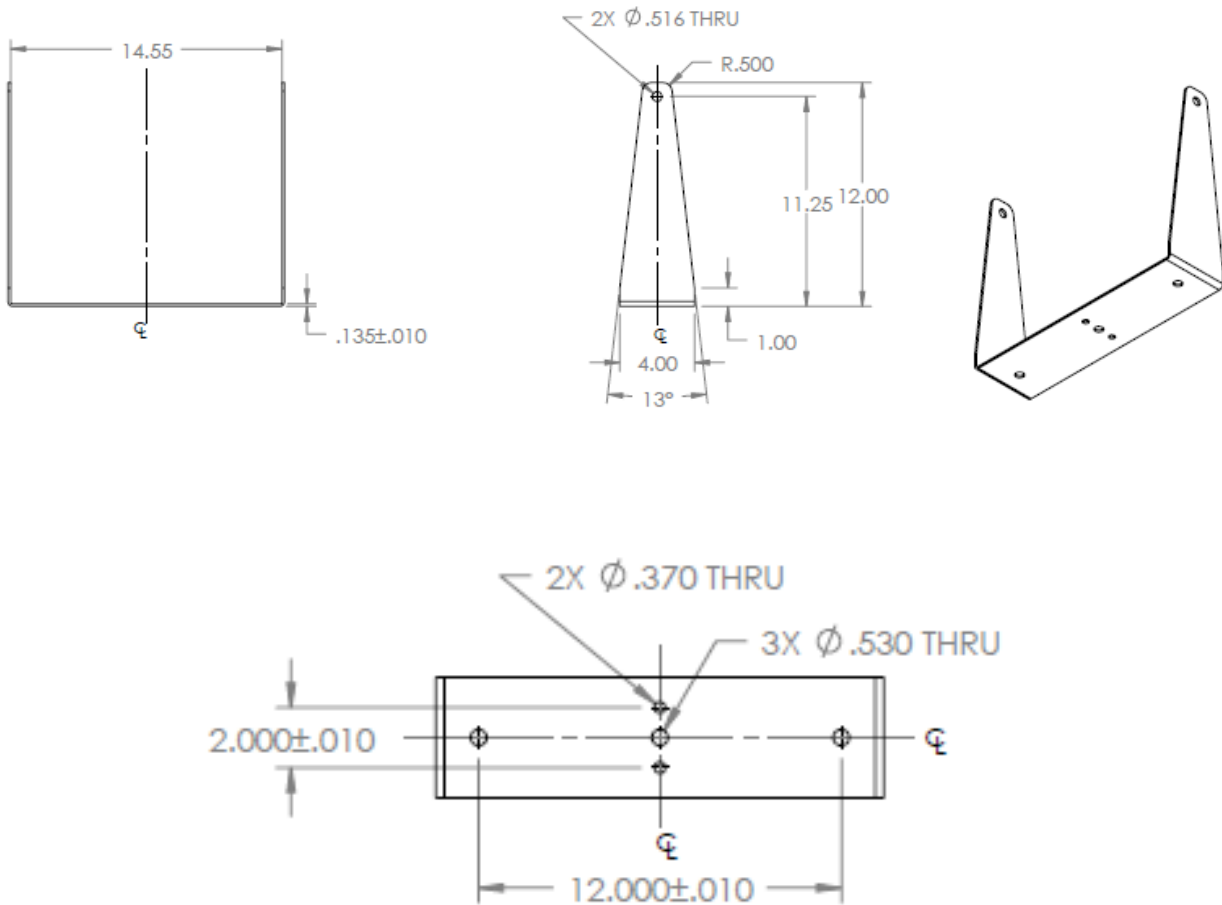
### DC MODEL WIRING:

12VDC / 24VDC / 48VDC INPUT



## TECHNICAL DATASHEET - STANDARD SERIES

### STANDARD MOUNTING BRACKET



#### DISCLAIMER:

1- The information given herein, including the specifications and dimensions, is subject to change without prior notice to improve product characteristics. Before ordering, purchasers are advised to contact the Sensitron Semiconductor sales department for the latest version of the datasheet(s).

2- In cases where extremely high reliability is required (such as use in nuclear power control, aerospace and aviation, traffic equipment, medical equipment, and safety equipment), safety should be ensured by using semiconductor devices that feature assured safety or by means of users' fail-safe precautions or other arrangement.

3- In no event shall Sensitron Semiconductor be liable for any damages that may result from an accident or any other cause during operation of the user's units according to the datasheet(s). Sensitron Semiconductor assumes no responsibility for any intellectual property claims or any other problems that may result from applications of information, products or circuits described in the datasheets.

4- In no event shall Sensitron Semiconductor be liable for any failure in a semiconductor device or any secondary damage resulting from use at a value exceeding the absolute maximum rating.

5- No license is granted by the datasheet(s) under any patents or other rights of any third party or Sensitron Semiconductor.

6- The datasheet(s) may not be reproduced or duplicated, in any form, in whole or part, without the expressed written permission of Sensitron Semiconductor.

7- The products (technologies) described in the datasheet(s) are not to be provided to any party whose purpose in their application will hinder maintenance of international peace and safety nor are they to be applied to that purpose by their direct purchasers or any third party. When exporting these products (technologies), the necessary procedures are to be taken in accordance with related laws and regulations.