




QTM-100-BW-SM

- * The **QTM-100-BW** surface mount underwater light features the brightest blue and white dual coloured LED's for its size with its all in one driver technology and plug and play installation on the market.
- * The white LEDs have a light output of 7000 lumens. The flush lens gives a 140 degree beam providing a perfect spread of light.
- * Distance between lights on the transom can vary from 1 to 1.5m and from 1 to 3m for port and starboard.
- * The **QTM-100/B/W-SM** is manufactured from nickel plated AB2 bronze and can be bonded to the boats cathodic protection as shown below.

 **Maintenance**
Surface Mount

 **Control Option**
On/Off & Momentary Switch

 **Driver**
Integral


 **Growth Resistant Lens**
Borosilicate Glass


 **Power**
70W 12-24 vdc


 **Installation**
Surface Mount



Dual Colour

Hull Material 
GRP, Fiberglass / wood

Boat Size 
20m+

Lumens 
White=7,000

Kelvin 
6,500K

Beam Angle 
140 degrees

IPX8
Underwater



Mounting

Hull Material	GRP / Fiberglass
Boat Size	up to 30m 99ft
Spacing	1- 3m (3.2 Ft - 9.8ft)
Beam Angle	140°
Installation Angles	Surface Mount

Technical

Per Fixture

Lumens White Only	7,000
Kelvin	6,500
Typical LED Life Expectancy	40,000 hrs
Min-Max Operating Voltage	11- 28 DC
Current/Amp draw	4.8- 2.4 -Amp
Driver Type	Integral
Driver Protection	Reverse Polarity Thermal Protected
Control Options	Momentary On / Off control switch
Bonding	Via Power Cable

Physical

Per Fixture

Length of fixture	N/A
Diameter of fixture	100 mm
Profile (height) of fixture	32mm
Removal Space Required	N/A
Total Weight	1 kg
Cable Length	3 meter
Hole Cut-out	9 mm
Material	Nickel plated AB2 Bronze
Growth Resistant Lens	Borosilicate Glass

Color

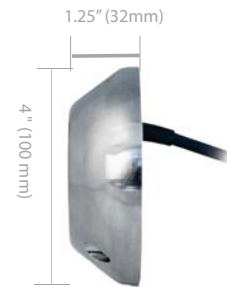
White/Blue



Flat

Part Number

QTM- 100-BW-SM



Your Local Dealer



© 2017 Underwater Lights Limited All Rights Reserved.
Underwater lights limited reserves the right to change specifications without notice.

The Great Dunton Forge, London Road
Dunton Green, Sevenoaks, Kent TN13 2TD UK
T: +44 (0) 1732 455753 • F: +44 (0) 1732 743233
E: uwl@underwaterlights.com

www.underwaterlights.com

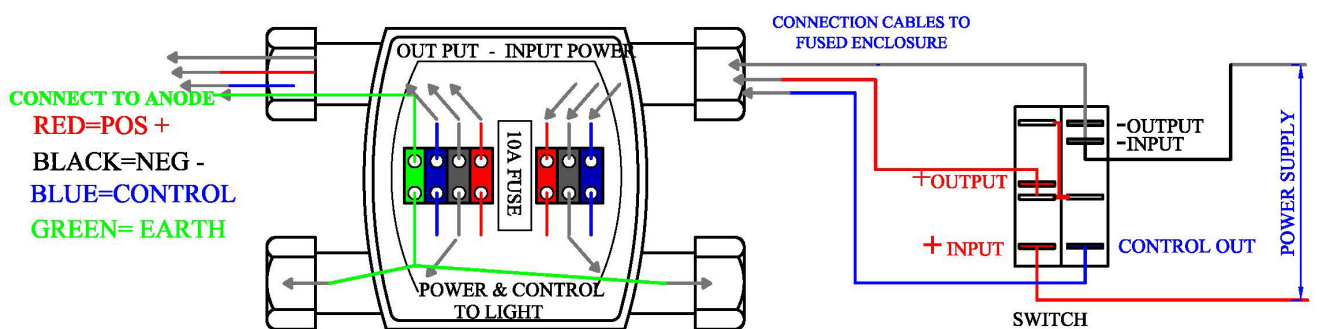
VAT NO: 556 4425 31

Registered in England No: 2348038



QTM-100-BW-SM WIRING

- *With your purchase you will have the surface mount light, an IP68 connection enclosure and a switch.
- *Prior to drilling the 9mm cable hole ensure that there is internal space for sealing the cable.
- *It is important to locate the connection enclosure close to the cable entry and above the bilge so that you have good access to make the connections. Short cables will lower the cable volt drop. See below for cable connections in the enclosure. RED is positive, BLACK is negative, BLUE is control and GREEN is earth/anode.
- *When the cable hole has been drilled, screw the light gently to the hull. Screw the connection enclosure to a safe location inside the hull and work a route for the light cable to the connection enclosure. Pass the cable into the connection enclosure and cut the cable to a length so that you can do the connection as shown.
- *It is your responsibility to run the correct size supply cable (min 2.5mm sq) to the light connection enclosure and the switch. The connection enclosure has a 10 amp fuse that will protect the LED supply cable. When you have made the connections, ensure the polarity is correct and switch on the light for testing.
- *Next remove the light's screws so you can coat the rear part of the light with 3M 4200 sealant. Gently screw the light to the hull until the sealant has flowed around the circumference. Allow the sealant to cure and tighten the screws.
- *The 20 amp control switch has two actions. The bottom part switches the lights on and off. The top part is momentary and changes the colour.
- *Finally coat the light face with anti-fouling paint.
- ***Note** The switch has a maximum rating of 20 amps. Check battery maximum current draw. Maximum of **THREE** lights on 12 volt supply (14.4A) and **SIX** on 24 volt supply (14.4A).



www.underwaterlights.com

THE QT-LED RANGE IS DESIGNED AND MANUFACTURED BY UNDERWATER LIGHTS LTD IN THE U.K.