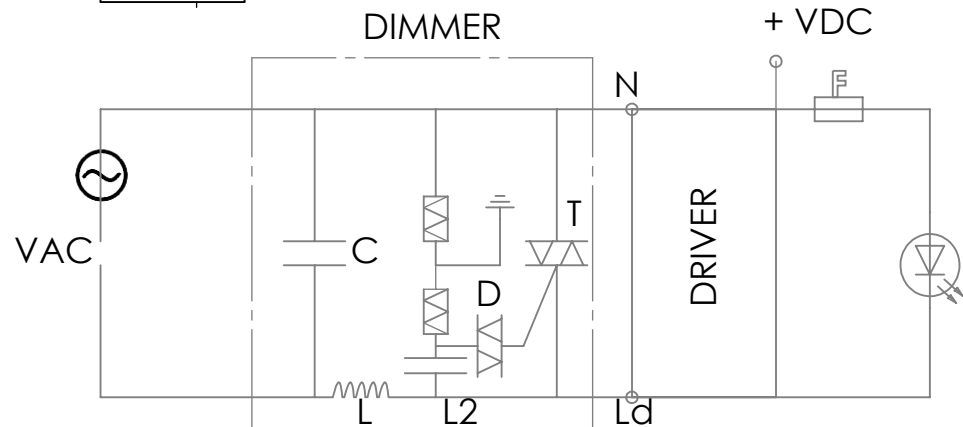
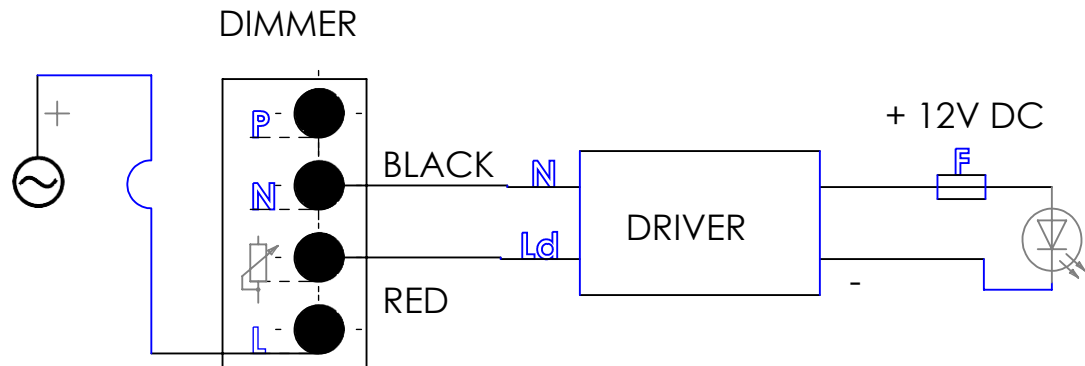


B



B

A

PROPRIETARY AND CONFIDENTIAL
 THE INFORMATION CONTAINED IN THIS DRAWING IS THE SOLE PROPERTY OF APOLLO LIGHTING. ANY REPRODUCTION IN PART OR AS A WHOLE WITHOUT THE WRITTEN PERMISSION OF APOLLO LIGHTING IS PROHIBITED.

		UNLESS OTHERWISE SPECIFIED:		NAME	DATE	TITLE: Viamr Part# 16559.1.120 www.apollolighting.com					
		DIMENSIONS ARE IN INCHES	DRAWN	3DEXP	12/22/2021			SIZE A			
		TOLERANCES:	CHECKED							DWG. NO. LED-12W-12V-DIM	
		FRACTIONAL	ENG APPR.							REV	
		ANGULAR: MACH BEND TWO PLACE DECIMAL THREE PLACE DECIMAL	MFG APPR.							SCALE: 2:1 WEIGHT: SHEET 2 OF 2	
		INTERPRET GEOMETRIC TOLERANCING PER:	Q.A.								
		MATERIAL	COMMENTS:								
		FINISH									
	NEXT ASSY	USED ON									
	APPLICATION		DO NOT SCALE DRAWING								

2

1